
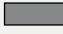



# CLERK GOWN

## You will need:

- 1 2.5 m of black fabric
- 2 black cotton
- 3 sewing needle
- 4 sewing machine
- 5 scissors
- 6 tape measure
- 7 sewing chalk and/or sewing pins
- 8 a flat, clean surface to work on

## Key:

-  - - - cut here
- ..... fold here
-  wrong side of fabric
-  front side of fabric
-  centre point
- - - stitching



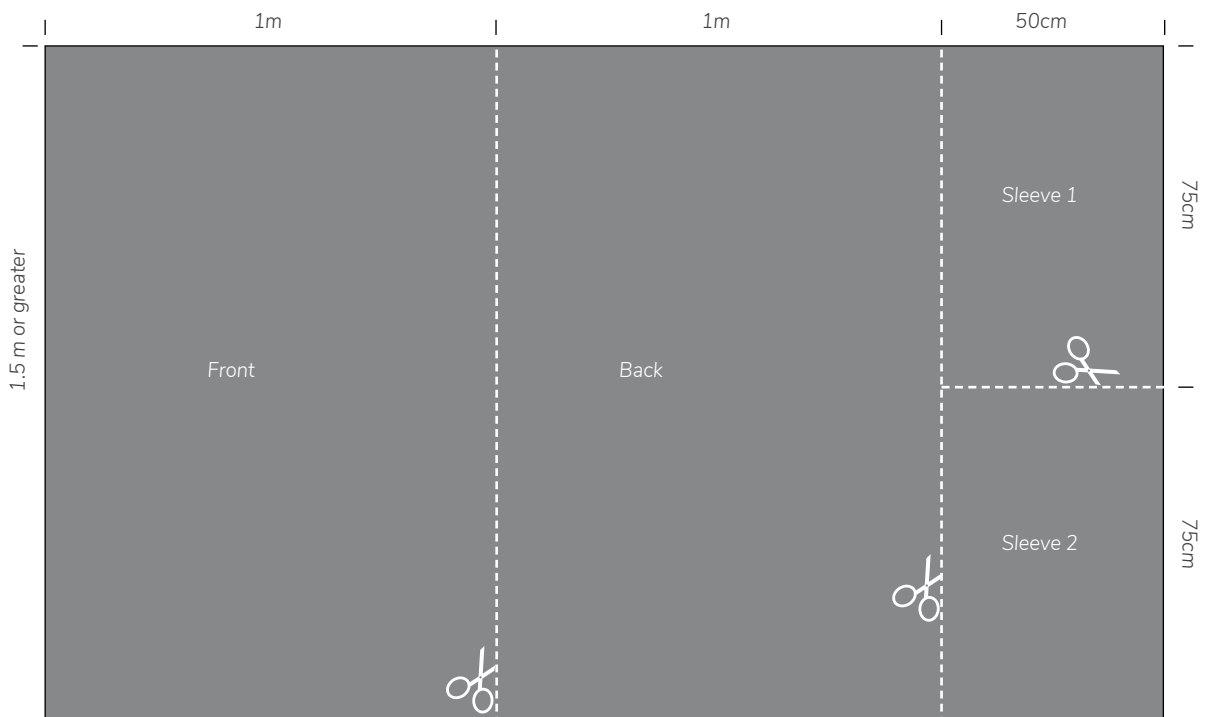
The Clerk's gown modelled by a student



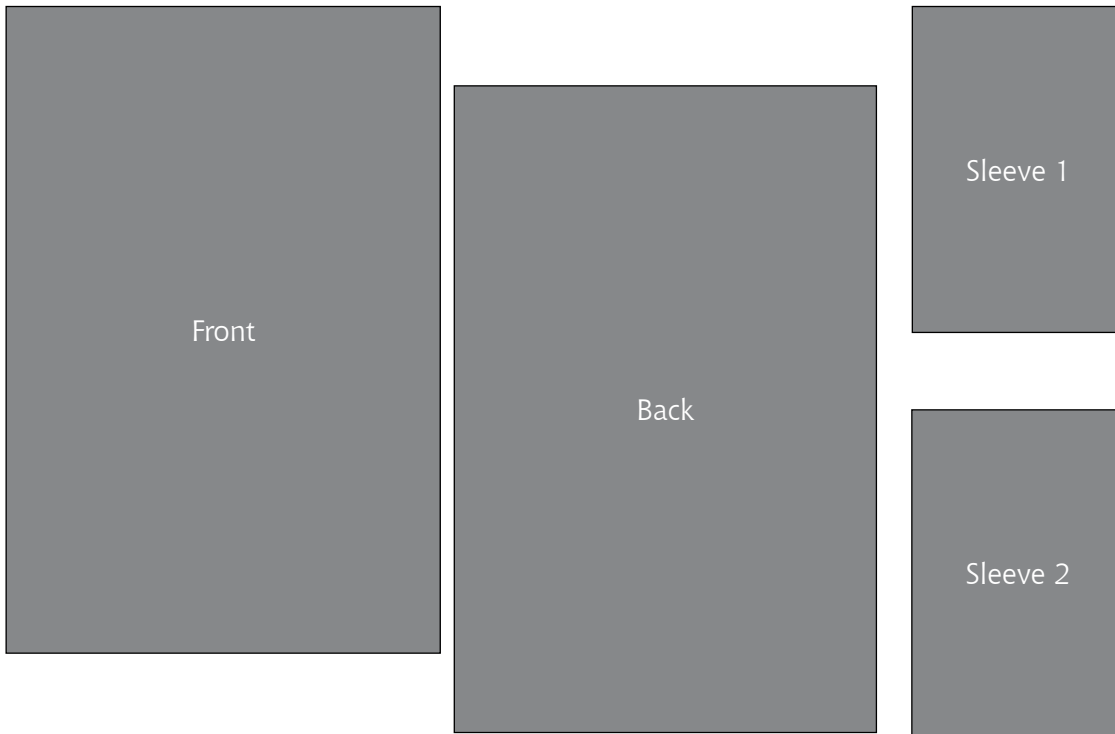
1

## Cutting out the fabric pieces

- Lay 2.5m of black fabric as a single layer on a flat, clean surface.
- Measure and cut the gown front, back and two sleeves as indicated on the diagram below.



You should now have four pattern pieces that look like this:

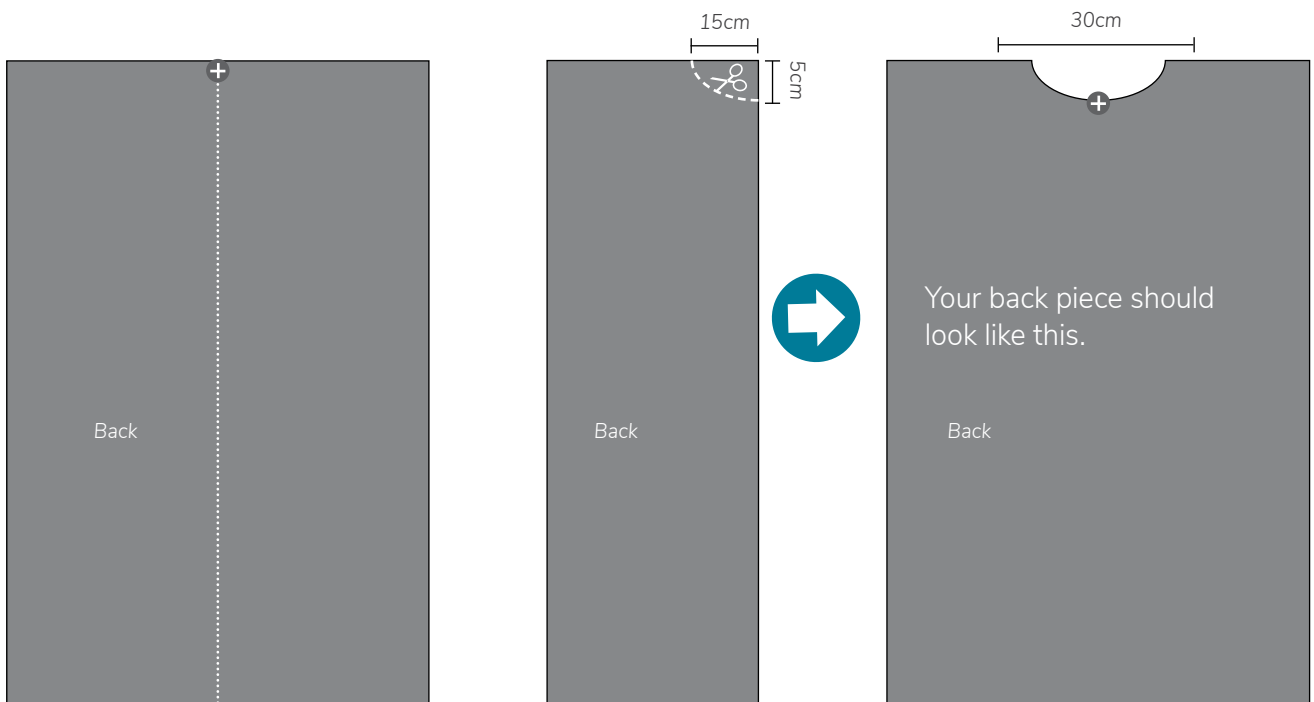


2

## Shaping the back panel

a) Fold back piece in half longways to find centre back. Make sure edges are matched.

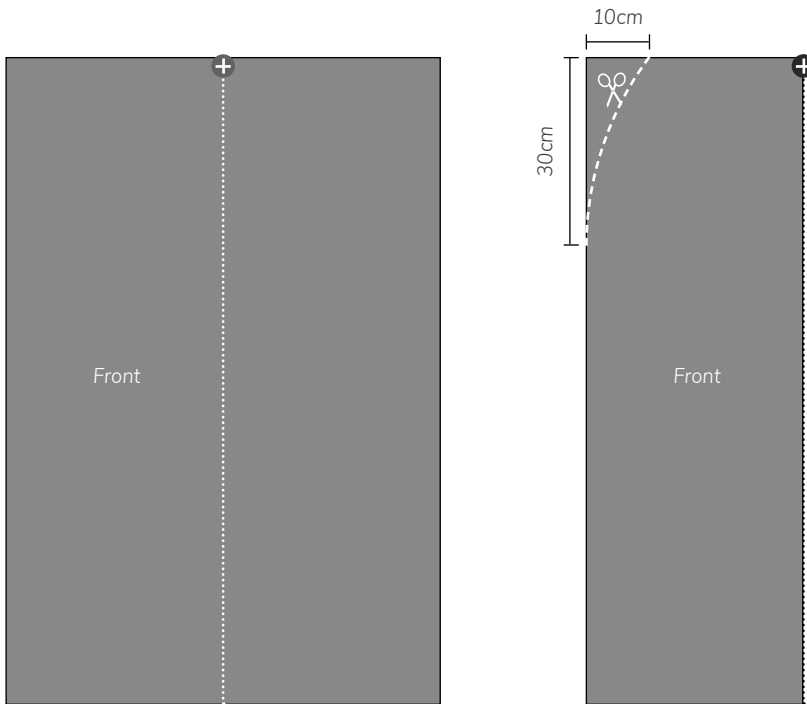
b) Use sewing chalk or pins, to mark back neck shape. Cut neck shape out along folded edge.



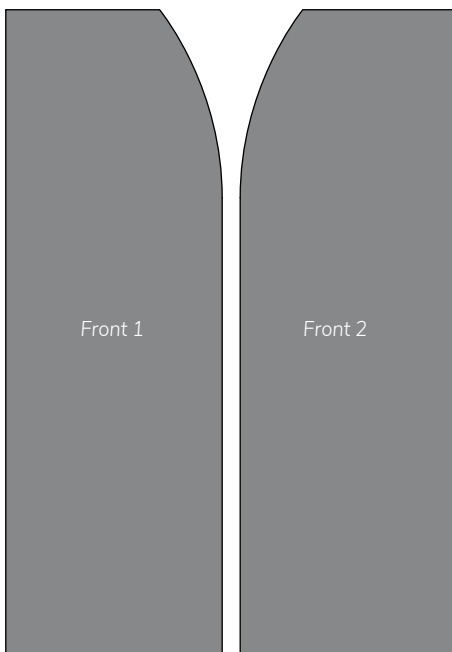
3

## Shaping the two front panels

- a) Fold front piece in half longways to find centre front. Make sure edges line up.
- b) Use sewing chalk or pins to mark front neck shape. Cut neck shape out along folded edge.



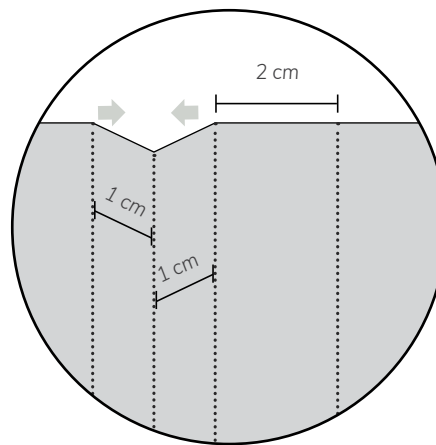
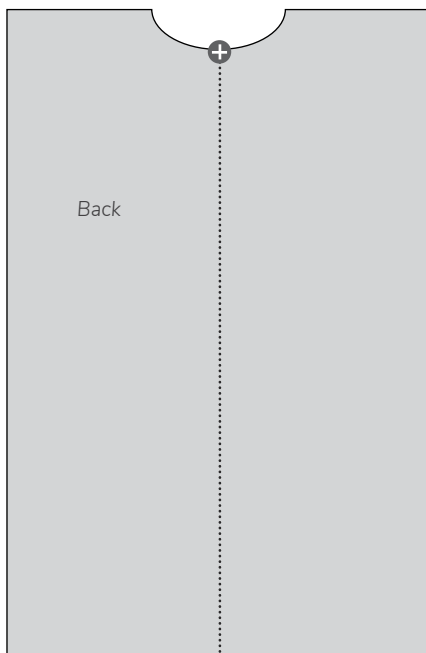
You should now have two separate front panels.



# 4

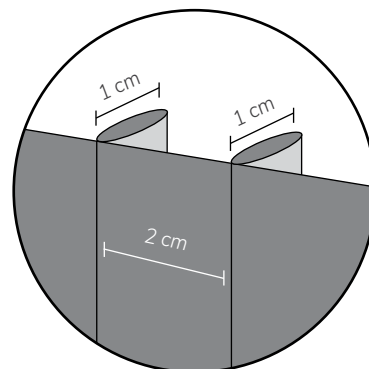
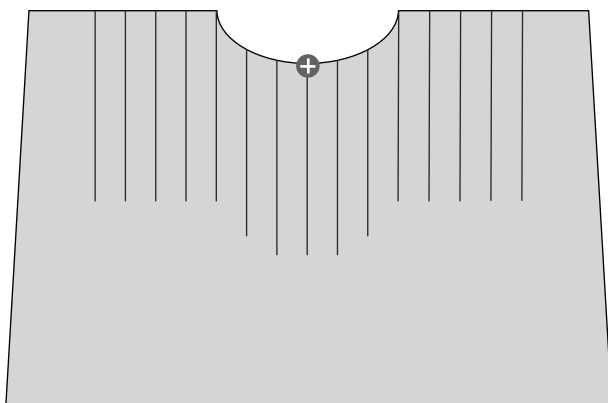
## Pleating the back panels

a) Find the centre back and mark with chalk or pin.



b) Draw together and pin a 1 cm pleat with the fold of the pleat at centre back.

c) Pin another 7 pleats on either side of the central pleat to create a total of 15 evenly spaced shallow pleats across the back. There will be about a 2 cm gap between each pleat.

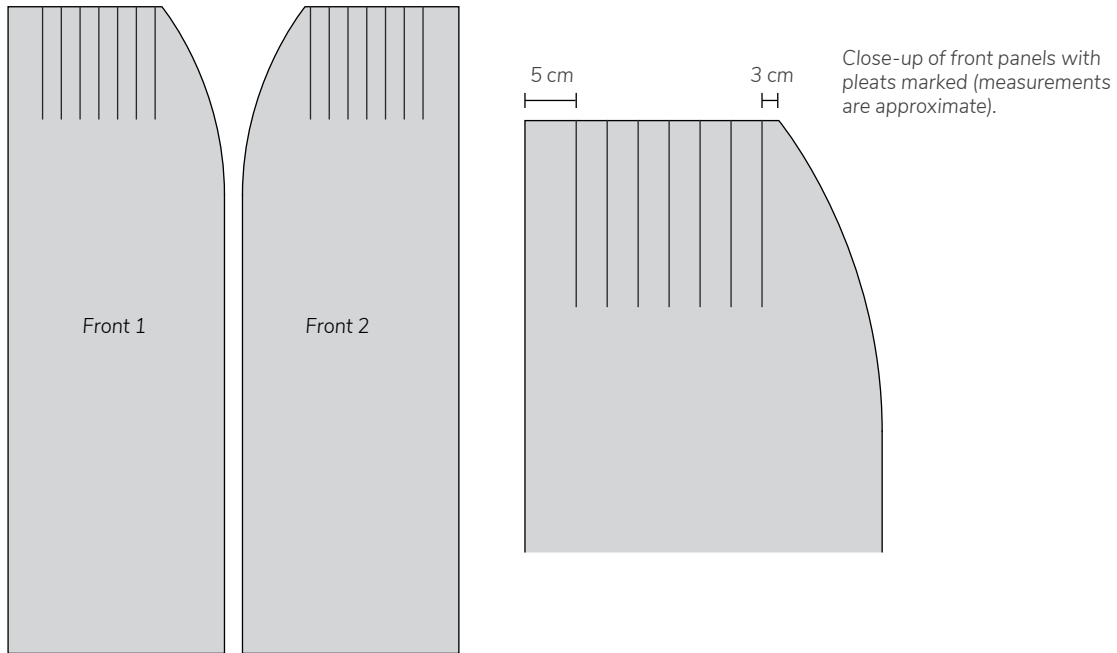


Once sewn, your pleats should look like this

# 5

## Pleating the front panels

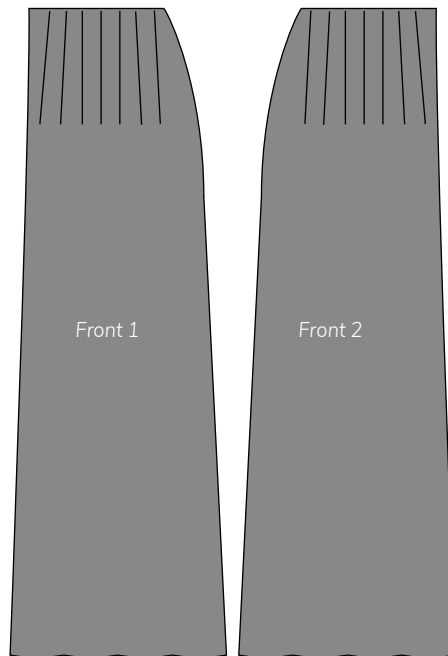
- a) As in Step 4, pin seven 1 cm evenly spaced pleats on each of the two front panels. There will be about a 2 cm gap between each pleat. Make sure that some fabric remains unpleated at either end of the upper edge of both front panels for joining to sleeves.



- b) Before sewing the pleats check that the front panels match the back panel at shoulders (see Step 6).
- c) Sew pleats.



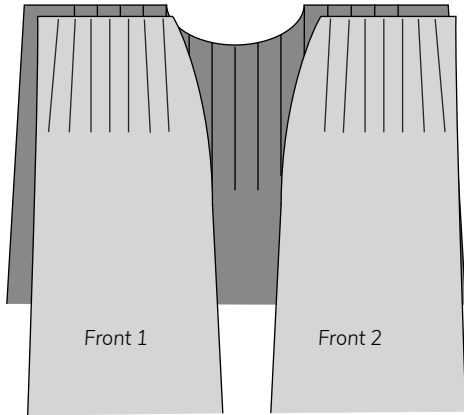
Your front panels should now look like this.



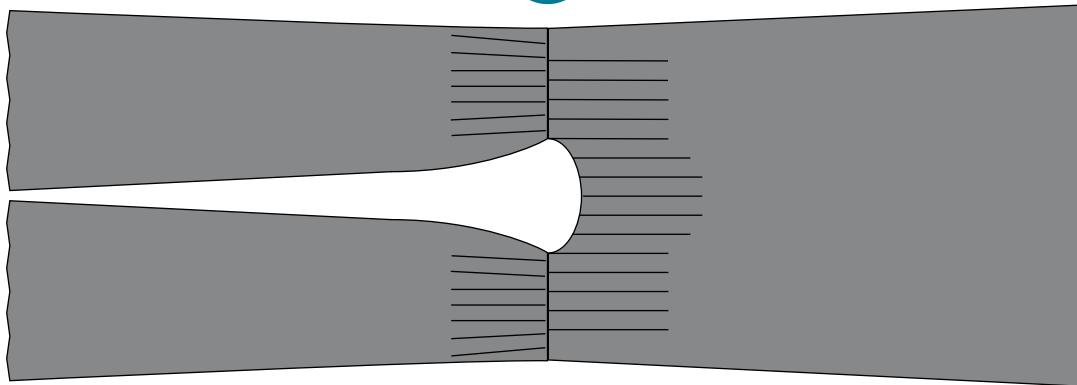
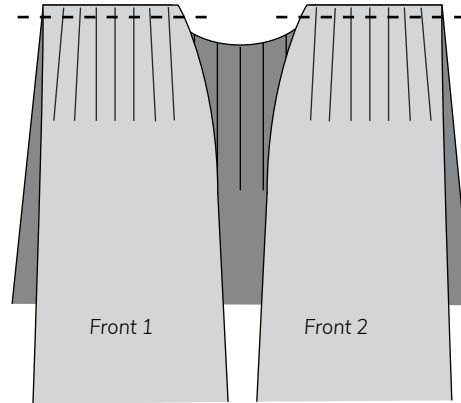
6

## Sewing the front and back panels together

a) Pin front and back panels' right sides together at the shoulders.



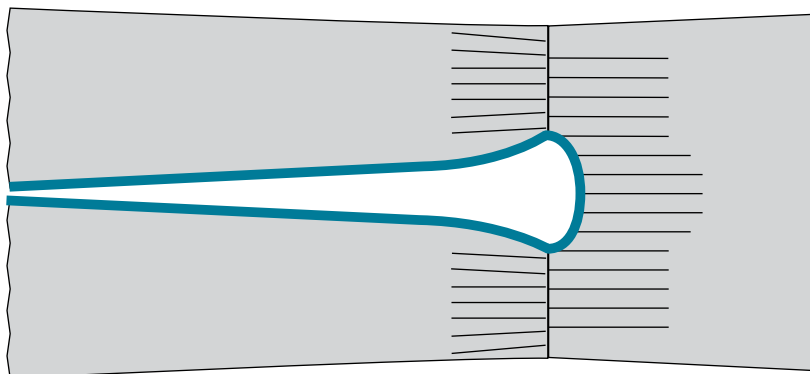
b) Sew back and two front panels together at the shoulders.



Your back and front should look like this when laid flat.

7

## Sewing the front and back panels together

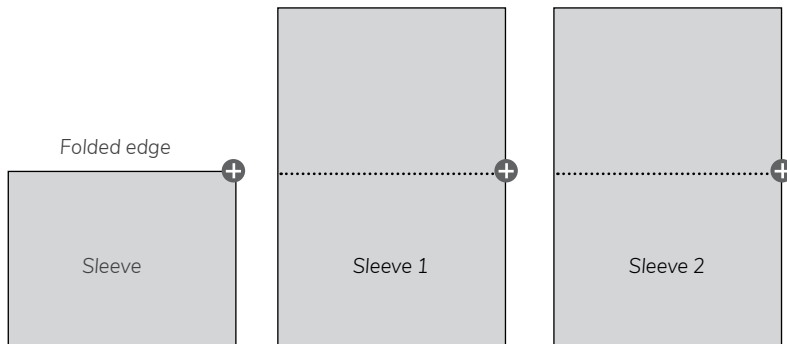


a) Pin and sew a shallow hem on both front panels, and the neck.

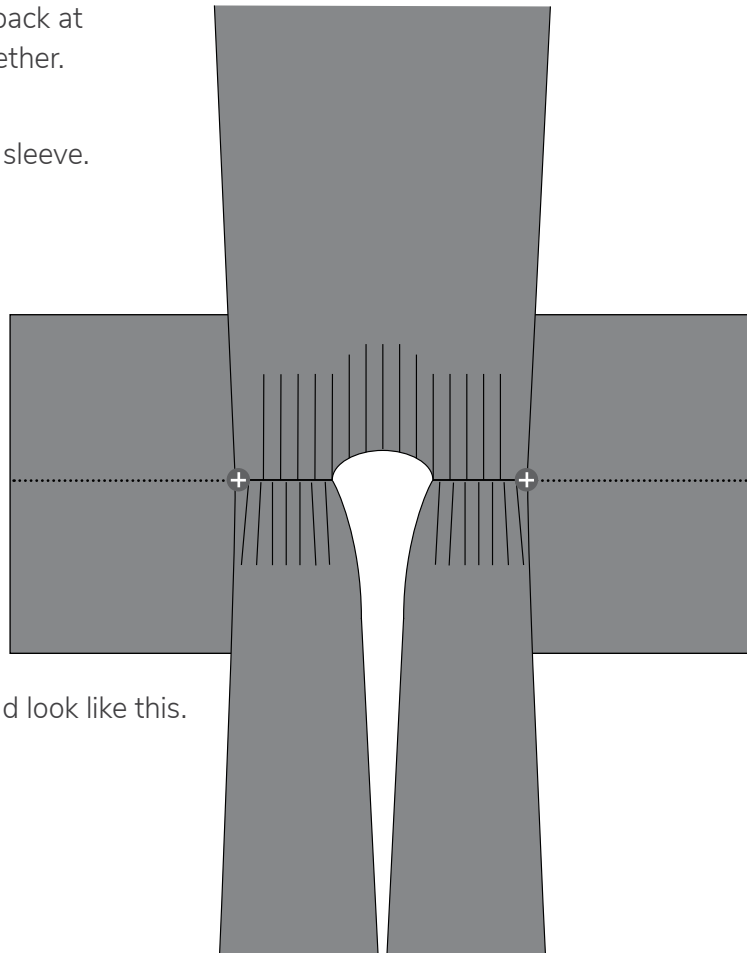
8

## Attaching the sleeves

- a) Fold sleeve 1 edges together and mark the centre point. Repeat for sleeve 2.



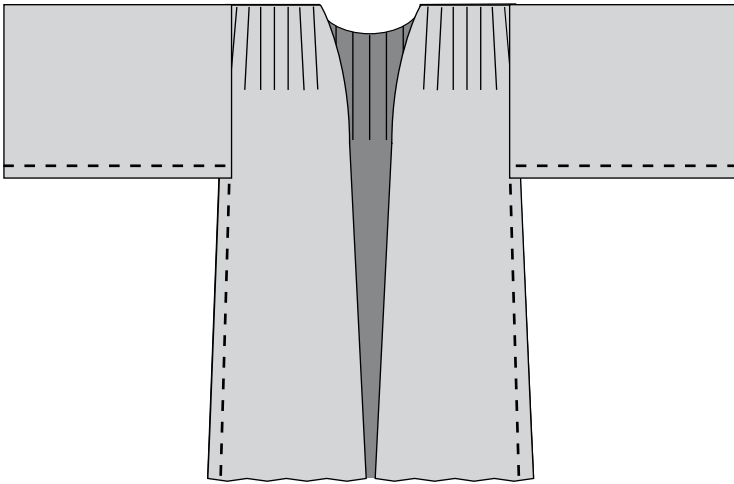
- b) Pin sleeve 1 to front and back at shoulders, right sides together. Repeat for sleeve 2.
- c) Sew seam to attach each sleeve.



Your gown should look like this.

9

## Sewing the gown together



- a) Pin bottom edge of sleeves, right sides of fabric together, to create two sleeve seams.
- b) Pin back and front right sides of fabric together to create two side seams.
- c) Sew the sleeves and sides together.

Your gown should look like this.

10

## Finishing the gown

- a) Pin a shallow hem along the entire bottom edge of the gown. Sew hem on the wrong side of fabric.
- b) Pin a shallow hem on the bottom edge of each sleeve. Sew hem on the wrong side of the fabric.
- c) Turn the gown right side out and dress your Speaker or Clerk for a parliamentary role-play experience!

